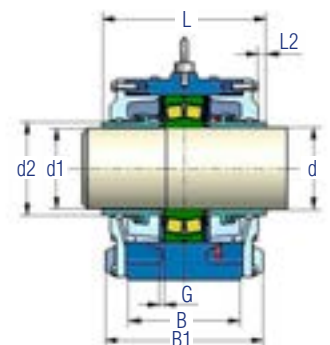
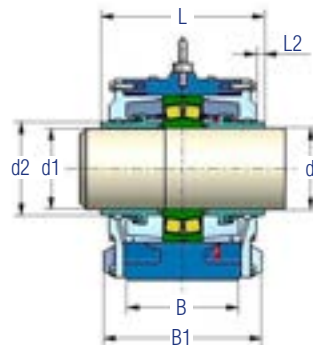


BC - Locating bearing, blind shaft

LC - Non-locating bearing, blind shaft



BP - Locating bearing, passing shaft

LP - Non-locating bearing, passing shaft

- See page 12 for technical features.
- For applications with different bearing series please consult our Engineering Department.
- **Specification example:** SOFN-224-BP = SOFN housing, size 224, made of grey cast iron with 4 holes on the base, prepared for 22224-C bearing, for locating bearing and passing shaft.
- N-SOFN-232-BC = N-SOFN housing, size 232, made of nodular cast iron with 4 holes on the base, prepared for 22232-C bearing, for locating bearing and blind shaft.
- Breathers, oil level gauges and temperature sensors can be acquired separately.

Series SOFN 200

Housing	d	d1	Nut	Washer	Bearing	H	E	A	B	B1	d2	F	G	J	L	L1	L2	N	N1	P	R	R1	R2	S	U	V	C (mm)		Weight (kg)
																											min	max	
SOFN 217	85	83	KM 17	MB 17	22217 C	125	260	330	110	182	96	60	5	22	180	172	8	40	24	230	27	1/2"	3/8"	M20	60	35	60	65	33
SOFN 218	90	88	KM 18	MB 18	22218 C	135	290	360	120	190	100	70	5	23	190	180	10	40	24	245	27	1/2"	3/8"	M20	66	45	67	72	36
SOFN 219	95	93	KM 19	MB 19	22219 C	140	290	360	135	210	105	80	5	24	200	192	8	40	24	255	27	1/2"	3/8"	M20	71	40	68	76	40
SOFN 220	100	98	KM 20	MB 20	22220 C	145	320	400	130	205	110	75	5	25	206	196	10	45	28	270	27	1/2"	1/2"	M24	74	50	65	73	44
SOFN 222	110	108	KM 22	MB 22	22222 C	160	347	420	145	216	120	75	5	26	229	216	13	45	28	290	27	1/2"	1/2"	M24	77,5	50	73	81	55
SOFN 224	120	118	KM 24	MB 24	22224 C	170	347	420	170	245	135	90	8	28	276	258	18	45	28	315	27	1/2"	1/2"	M24	87	55	76	86	72
SOFN 226	130	128	KM 26	MB 26	22226 C	180	377	450	180	260	145	100	8	30	270	255	15	45	28	335	32	1/2"	1/2"	M24	91	60	80	90	86
SOFN 228	140	138	KM 28	MB 28	22228 C	190	415	500	190	265	160	100	8	30	280	265	15	45	35	355	33	1/2"	3/4"	M30	94	65	84	94	109
SOFN 230	150	148	KM 30	MB 30	22230 C	200	450	540	190	265	170	115	8	32	280	265	15	50	35	375	44	1/2"	3/4"	M30	99	65	84	94	126
SOFN 232	160	158	KM 32	MB 32	22232 C	215	470	560	205	280	178	120	10	35	316	298	18	50	35	405	38	1/2"	3/4"	M30	108	65	93	103	156
SOFN 234	170	168	KM 34	MB 34	22234 C	235	515	610	230	310	195	130	10	37	350	330	20	55	35	440	46	1/2"	3/4"	M30	115	70	103	113	192
SOFN 236	180	177	KM 36	MB 36	22236 C	245	545	650	240	320	205	150	10	38	360	340	20	65	35	455	44	1/2"	3/4"	M30	116	85	108	118	210
SOFN 238	190	188	KM 38	MB 38	22238 C	260	590	720	250	335	220	150	12	39	370	350	20	70	42	480	50	1/2"	3/4"	M36	132	85	115	125	240
SOFN 240	200	198	KM 40	MB 40	22240 C	275	600	730	260	350	227	160	12	40	378	358	20	70	42	510	44	1/2"	3/4"	M36	126	85	122	132	280
SOFN 244	220	218	HM 44T	MB 44	22244 C	305	670	820	280	370	255	180	12	44	404	385	20	80	42	565	48	1/2"	3/4"	M36	140	95	136	151	370
SOFN 248	240	238	HM 48T	MB 48	22248 C	340	740	900	290	380	270	190	12	47	420	400	20	80	42	625	56	1/2"	3/4"	M36	150	100	153	168	440

Series SOFN 300

Housing	d	d1	Nut	Washer	Bearing	H	E	A	B	B1	d2	F	G	J	L	L1	L2	N	N1	P	R	R1	R2	S	U	V	C (mm)		Weight (kg)
																											min	max	
SOFN 310	50	49	KM 10	MB 10	22310 C	95	210	270	92	145	58	50	3	18	150	142	8	30	19	168	27	1/4"	3/8"	M16	53	30	50	55	23
SOFN 311	55	53	KM 11	MB 11	22311 C	100	233	290	95	148	65	50	3	17	155	147	8	33	19	180	27	1/4"	3/8"	M16	56,5	30	51	56	24
SOFN 312	60	58	KM 12	MB 12	22312 C	110	230	290	100	152	70	55	5	17	170	162	8	34	19	198	27	1/4"	3/8"	M16	62	30	57	62	25
SOFN 314	70	68	KM 14	MB 14	22314 C	125	260	330	110	182	80	60	5	18	180	172	8	40	24	230	27	1/2"	3/8"	M20	66	35	63	71	32
SOFN 316	80	78	KM 16	MB 16	22316 C	140	290	360	135	210	95	80	5	22	214	199	8	40	24	255	27	1/2"	3/8"	M20	74	40	70	78	39
SOFN 318	90	88	KM 18	MB 18	22318 C	155	317	400	165	246	104	95	5	22	240	225	15	45	28	280	32	1/2"	1/2"	M24	78	50	75	85	52
SOFN 320	100	98	KM 20	MB 20	22320 C	170	347	420	170	246	115	90	8	27	270	255	15	45	28	315	27	1/2"	1/2"	M24	91	55	79	89	71
SOFN 322	110	108	KM 22	MB 22	22322 C	190	415	500	190	265	130	100	8	28	290	270	20	45	35	355	33	1/2"	3/4"	M30	98	65	90	105	75
SOFN 324	120	118	KM 24	MB 24	22324 C	200	450	540	190	286	140	115	8	28	306	285	20	50	35	375	44	1/2"	3/4"	M30	100	65	92	107	125
SOFN 326	130	128	KM 26	MB 26	22326 C	215	470	560	205	286	150	120	8	30	320	300	20	50	35	405	38	1/2"	3/4"	M30	105	65	98	113	153
SOFN 328	140	138	KM 28	MB 28	22328 C	230	510	630	220	300	165	120	8	30	340	320	20	60	35	425	42	1/2"	3/4"	M30	117	80	110	125	182
SOFN 330	150	148	KM 30	MB 30	22330 C	245	545	650	240	320	175	150	10	33	350	335	18	65	35	455	44	1/2"	3/4"	M30	117	75	113	128	205
SOFN 332	160	158	KM 32	MB 32	22332 C	260	590	720	250	335	190	150	10	36	370	350	20	70	42	480	50	1/2"	3/4"	M36	130	85	120	135	236
SOFN 334	170	168	KM 34	MB 34	22334 C	275	600	730	260	350	197	160	12	37	378	358	20	70	42	510	44	1/2"	3/4"	M36	132	85	125	140	276
SOFN 336	180	178	KM 36	MB 36	22336 C	305	670	820	280	370	210	180	12	38	404	385	20	80	42	565	46	1/2"	3/4"	M36	140	95	148	163	366