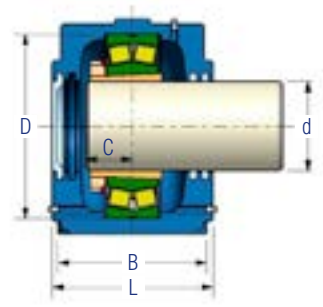
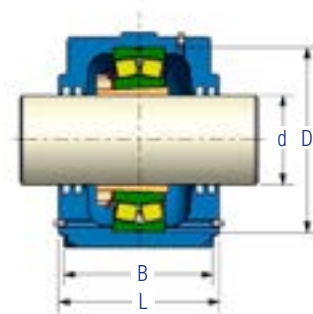


BC - Locating bearing, blind shaft

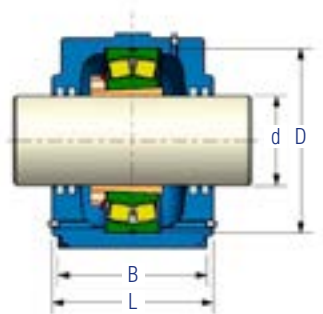


LC - Non-locating bearing, blind shaft

- See page 09 and 10 for technical features.
- Standard seal "FF" – pair of felt strips, see page 06.
- For applications with different bearing series please consult our Engineering Department. As a standard, these housings are manufactured for shafts in millimeters. Should it be manufactured for shafts in inches, please specify on your reference.
- **Specification example:** SD-3136-BP = SD-31 housing, size 3136, made of grey cast iron with 4 holes on the base, prepared for 23136-K bearing and H-3136 adapter sleeve, for locating bearing and passing shaft, with TS radial labyrinth seal.
- N-SD-3138-BC = SD-31 housing, size 3138, made of nodular cast iron with 4 holes on the base, prepared for 23138-K bearing and H-3138 adapter sleeve, for locating bearing and blind shaft, with TS radial labyrinth seal.
- The type of lubrication must be informed on the purchase order.



BP - Locating bearing, passing shaft



LP - Non-locating bearing, passing shaft

SD 500 Series

SD 600 Series