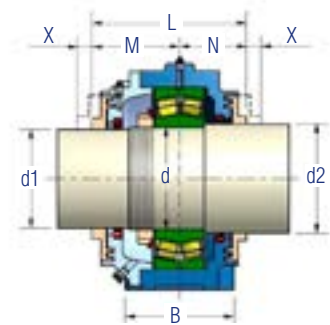
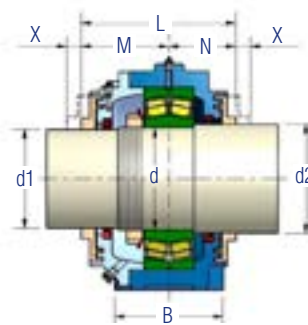


- See page 09 for technical features.
- Standard seal "AS" – axial labyrinth, see page 05. For seal types R, ZF, GS and TC, the dimensions are maintained. **Should a different type of seal be requested, the dimensions of the columns "L", "N" and "M" on the table can be modified**, but our engineering department should be consulted for more information
- For applications with other bearing series or other shaft diameters, please consult our Engineering Department.
- Up to size 18 these housings can be supplied with two holes on the base by simply adding the suffix "D" to the housing designation (Ex. SBPCD-18-BP-AS). The dimensions of the set bolts for two holes on the base can be found in the column "S", between brackets.
- **Specification example:** SBPC-15-BP-AS = SBPC housing, size 15, made of grey cast iron, with 4 holes on the base, prepared for 22215-C bearing, for locating bearing and passing shaft, with AS axial labyrinth seal.
NSBPC-D-15-LC-ASR = NSBPC-D housing, size 15, made of nodular cast iron, with 2 holes on the base, prepared for 22215-C bearing, for non-locating bearing and blind shaft, with taconite seal composed of AS axial labyrinth and retainer.

BC - Locating bearing, blind shaft

LC - Non-locating bearing, blind shaft



BP - Locating bearing, passing shaft

LP - Non-locating bearing, passing shaft

| Housing | Bearing | Shaft diameter (Inches) | | Shaft diameter (mm) | | | Dimensions (mm) | | | | | | | | | | | | | Weight (kg) | |
|---------|---------|-------------------------|----------|---------------------|-------|-------|-----------------|-----|-----|-----|-----|-------|-----|-----|-----|-----|-------------|----|-----|-------------|------|
| | | d1 | d2 | d | d1 | d2 | H | E | A | B | C | F | L | M | N | P | S | V | W | | X |
| SBPC 09 | 22209C | 1.11/16" | 2.1/8" | 45 m5 | 42,9 | 54 | 57,1 | 168 | 210 | 60 | 28 | 30,2 | 108 | 56 | 52 | 119 | 3/8" (1/2") | 22 | 38 | 10 | 3,6 |
| SBPC 10 | 22210C | 1.7/8" | 2.3/8" | 50 m5 | 47,6 | 60,3 | 63,5 | 171 | 210 | 60 | 28 | 30,2 | 109 | 57 | 52 | 127 | 3/8" (1/2") | 25 | 39 | 13 | 4 |
| SBPC 11 | 22211C | 2.1/16" | 2.9/16" | 55 m5 | 52,4 | 65,1 | 69,8 | 194 | 244 | 70 | 30 | 35 | 115 | 59 | 56 | 142 | 1/2" (5/8") | 25 | 41 | 13 | 5,7 |
| SBPC 13 | 22213C | 2.7/16" | 3.1/16" | 65 m5 | 61,9 | 77,8 | 76,2 | 224 | 279 | 79 | 36 | 39,7 | 120 | 64 | 56 | 158 | 1/2" (5/8") | 25 | 48 | 13 | 7,6 |
| SBPC 15 | 22215C | 2.13/16" | 3.7/16" | 75 m6 | 71,4 | 87,3 | 82,6 | 232 | 286 | 79 | 38 | 47,6 | 128 | 67 | 61 | 171 | 1/2" (5/8") | 29 | 50 | 13 | 8,3 |
| SBPC 16 | 22216C | 3" | 3.5/8" | 80 m6 | 76,2 | 92,1 | 88,9 | 262 | 330 | 89 | 42 | 54 | 144 | 76 | 68 | 188 | 5/8" (7/8") | 32 | 55 | 14 | 12,2 |
| SBPC 17 | 22217C | 3.3/16" | 3.15/16" | 85 m6 | 81 | 100 | 95,2 | 265 | 330 | 89 | 44 | 54 | 149 | 79 | 70 | 198 | 5/8" (7/8") | 32 | 57 | 14 | 13,3 |
| SBPC 18 | 22218C | 3.3/8" | 4.1/8" | 90 m6 | 85,7 | 104,8 | 101,6 | 279 | 349 | 98 | 46 | 54 | 155 | 83 | 72 | 209 | 5/8" (7/8") | 35 | 59 | 15 | 15,9 |
| SBPC 20 | 22220C | 3.13/16" | 4.1/2" | 100 m6 | 96,8 | 114,3 | 114,3 | 314 | 387 | 111 | 54 | 60,3 | 170 | 93 | 77 | 232 | 3/4" | 38 | 67 | 16 | 22 |
| SBPC 22 | 22222C | 4.3/16" | 4.7/8" | 110 n6 | 106,4 | 123,8 | 125,4 | 344 | 419 | 121 | 58 | 69,8 | 180 | 99 | 81 | 258 | 3/4" | 41 | 71 | 16 | 29 |
| SBPC 24 | 22224C | 4.9/16" | 5.5/16" | 120 n6 | 115,9 | 134,9 | 133,3 | 352 | 419 | 121 | 60 | 69,8 | 193 | 104 | 89 | 273 | 3/4" | 44 | 74 | 18 | 33 |
| SBPC 26 | 22226C | 4.15/16" | 5.7/8" | 130 n6 | 125,4 | 149,2 | 152,4 | 389 | 467 | 140 | 64 | 82,6 | 211 | 115 | 96 | 305 | 7/8" | 48 | 79 | 21 | 45 |
| SBPC 28 | 22228C | 5.5/16" | 6.1/4" | 140 n6 | 134,9 | 158,7 | 152,4 | 421 | 511 | 149 | 68 | 85,7 | 222 | 121 | 101 | 310 | 1" | 51 | 84 | 21 | 49 |
| SBPC 30 | 22230C | 5.3/4" | 6.5/8" | 150 p6 | 146 | 168,3 | 160,3 | 448 | 540 | 159 | 74 | 95,2 | 239 | 127 | 112 | 328 | 1" | 51 | 92 | 21 | 57 |
| SBPC 32 | 22232C | 6.1/16" | 7" | 160 p6 | 154 | 177,8 | 169,9 | 465 | 559 | 159 | 76 | 95,2 | 253 | 136 | 117 | 346 | 1" | 51 | 99 | 23 | 67 |
| SBPC 34 | 22234C | 6.7/16" | 7.7/16" | 170 p6 | 163,5 | 188,9 | 179,4 | 521 | 629 | 171 | 79 | 107,9 | 261 | 143 | 118 | 370 | 1" | 54 | 102 | 23 | 81 |
| SBPC 36 | 22236C | 6.7/8" | 7.13/16" | 180 p6 | 174,6 | 198,4 | 190,5 | 565 | 679 | 181 | 79 | 117,5 | 266 | 146 | 120 | 390 | 1" | 54 | 102 | 23 | 95 |
| SBPC 38 | 22238C | 7.1/4" | 8.3/8" | 190 p6 | 184,1 | 212,7 | 200 | 584 | 711 | 190 | 86 | 114,3 | 279 | 152 | 127 | 410 | 1.1/4" | 60 | 107 | 23 | 110 |
| SBPC 40 | 22240C | 7.5/8" | 8.3/4" | 200 p6 | 193,7 | 222,2 | 209,6 | 603 | 749 | 203 | 89 | 127 | 291 | 159 | 132 | 430 | 1.1/4" | 60 | 111 | 23 | 123 |
| SBPC 44 | 22244C | 8.5/16" | 9.9/16" | 220 p6 | 211,1 | 242,9 | 241,3 | 668 | 832 | 222 | 95 | 133,3 | 309 | 170 | 139 | 485 | 1.1/2" | 70 | 120 | 26 | 176 |
| SBPC 48 | 23048C | 9.3/16" | 10.1/2" | 240 p6 | 233,4 | 266,7 | 209,6 | 603 | 749 | 203 | 92 | 127 | 291 | 166 | 125 | 430 | 1.1/4" | 60 | 122 | 26 | 113 |
| SBPC 52 | 23052C | 9.15/16" | 11.1/4" | 260 p6 | 252,4 | 285,7 | 241,3 | 668 | 832 | 222 | 98 | 133,3 | 305 | 173 | 132 | 485 | 1.1/2" | 70 | 130 | 26 | 158 |
| SBPC 56 | 23056C | 10.3/4" | 12" | 280 p6 | 273 | 304,8 | 241,3 | 668 | 832 | 222 | 105 | 133,3 | 314 | 179 | 135 | 495 | 1.1/2" | 70 | 137 | 26 | 159 |
| SBPC 60 | 23060C | 11.1/2" | 13" | 300 r6 | 292,1 | 330,2 | 304,8 | 841 | 972 | 375 | 111 | 228,6 | 346 | 197 | 149 | 588 | 1.5/8" | 86 | 144 | 29 | 273 |