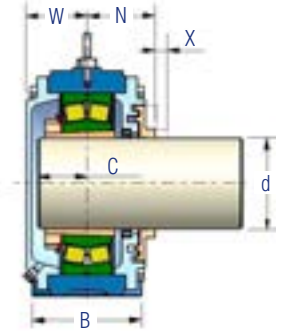
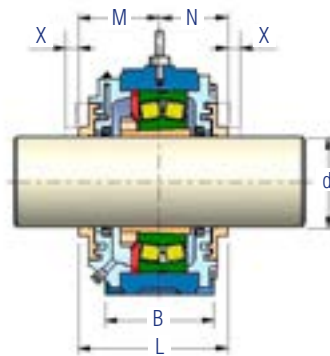


BC - Locating bearing, blind shaft

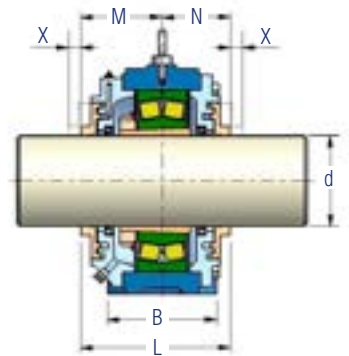


LC - Non-locating bearing, blind shaft

- See page 13 for technical features.
- Standard seal "AS" – axial labyrinth, see page 05. For seal types ASR, R, ZF, TC, GS, the dimensions are maintained. **Should a different type of seal be requested, the dimensions of the columns "L", "N" and "M" on the table can be modified**, but our engineering department should be consulted for more information.
- For applications with other bearing series please consult our Engineering Department.
- Up to and including sizes 327/328/32 are supplied with only two holes on the base; for 4 holes please consult our Engineering Department.
- **Specification example:** SAI-157-BP-AS = SAI housing, size 157, made of grey cast iron, with 2 holes on the base, prepared for 22215-K bearing and HA-315 adapter sleeve, for locating bearing and passing shaft, with taconite proof labyrinth seal type AS.
NSAI-34-LC-ASR = NSAI housing, size 34, made of nodular cast iron with 4 holes on the base, prepared for 22234-K bearing and H-3134 adapter sleeve, for non-locating bearing and blind shaft, with taconite proof seal composed of AS axial labyrinth and R retainer.



BP - Locating bearing, passing shaft



LP - Non-locating bearing, passing shaft

Housing	Shaft diameter		Bearing	Adapter sleeve (complete)	Dimensions (mm)													Weight (kg)	
	mm	Inches			H	E	A	B	F	L	M	N	P	S	V	C	W		X
SAI 097	40	1.7/16"	22209K	HA 309	55	165	210	55	—	108	56	52	115	1/2"	28	28	36	10	4
SAI 098		1.1/2"		HE 309															
SAI 09		H 309																	
SAI 100	45	1.5/8"	22210K	HS 310	60	180	230	55	—	120	60	60	124	1/2"	28	28	37	13	4.7
SAI 101		1.11/16"		HA 310															
SAI 102		1.3/4"		HE 310															
SAI 10				H 310															
SAI 114	50	1.7/8"	22211K	HS 311	60	185	240	55	—	115	59,5	55,5	128	5/8"	30	30	40	13	5.6
SAI 115		1.15/16"		HA 311															
SAI 11		2"		H 311															
SAI 110				HE 311															
SAI 122	55	2.1/8"	22212K	HS 312	65	200	250	60	—	118	63	55	140	5/8"	32	34	45	13	7
SAI 12				H 312															
SAI 133		2.3/16"		HA 313															
SAI 134	60	2.1/4"	22213K	HE 313	70	210	270	70	—	119	64	55	150	5/8"	36	36	47	13	8
SAI 13				H 313															
SAI 136		2.3/8"		HS 313															
SAI 157	65	2.7/16"	22215K	HA 315	95	260	340	90	—	125	65	60	190	3/4"	46	38	48	13	13.5
SAI 158		2.1/2"		HE 315															
SAI 15				H 315															
SAI 161	70	2.11/16"	22216K	HA 316	95	280	360	90	—	138	73	65	190	7/8"	46	42	53	14	15
SAI 162		2.3/4"		HE 316															
SAI 16				H 316															
SAI 175	75	2.15/16"	22217K	HA 317	100	290	380	95	—	143	75,5	67,5	203	7/8"	50	44	57	14	19
SAI 17				H 317															
SAI 170		3"		HE 317															
SAI 18	80		22218K	H 318	105	300	400	95	—	147	77,5	69,5	210	7/8"	56	46	60	15	21
SAI 183		3.3/16"		HA 318															
SAI 184		3.1/4"		HE 318															
SAI 194	85	3.1/4"	22219K	HE 319	115	320	420	100	—	162	88	74	233	1"	60	50	63	16	24
SAI 19				H 319															
SAI 207		3.7/16"		HA 320															
SAI 208	90	3.1/2"	22220K	HE 320	120	330	430	100	—	163	88,5	74,5	243	1"	60	54	69	16	22
SAI 20				H 320															
SAI 221		3.11/16"		HS 322															
SAI 22	100		22222K	H 322	140	360	470	115	—	170	93	77	275	1.1/8"	70	58	73	16	32
SAI 225		3.15/16"		HA 322															
SAI 220		4"		HE 322															

Housing	Shaft diameter		Bearing	Adapter sleeve (complete)	Dimensions (mm)														Weight (kg)
	mm	Inches			H	E	A	B	F	L	M	N	P	S	V	C	W	X	
SAI 243		4.3/16"	22224K	HA 3124															
SAI 244		4.1/4"		HE 3124	145	400	520	135	—	182	96	86	285	1.1/4"	70	60	82	18	37
SAI 24	110			H 3124															
SAI 267		4.7/16"	22226K	HA 3126															
SAI 268		4.1/2"		HE 3126	150	410	530	140	—	203	111	92	300	1.1/4"	70	64	87	21	50
SAI 26	115			H 3126															
SAI 28	125		22228K	H 3128															
SAI 285		4.15/16"		HA 3128	155	430	550	150	—	210	114	96	315	1.1/4"	70	68	91	21	53
SAI 280		5"		HE 3128															
SAI 303		5.3/16"	22230K	HA 3130															
SAI 304		5.1/4"		HE 3130	165	460	570	160	—	239	127	112	336	1.1/2"	75	74	92	21	58
SAI 30	135			H 3130															
SAI 327		5.7/16"	22232K	HA 3132															
SAI 328		5.1/2"		HE 3132	175	490	610	170	—	253	136	117	362	1.1/2"	75	76	99	23	78
SAI 32	140			H 3132															
SAI 34	150		22234K	H 3134															
SAI 345		5.15/16"		HA 3134	195	500	620	190	100	261	143	118	395	1.1/4"	75	79	106	23	99
SAI 340		6"		HE 3134															
SAI 367		6.7/16"	22236K	HA 3136															
SAI 368		6.1/2"		HE 3136	200	540	660	210	110	270	143	127	397	1.1/4"	75	79	102	23	102
SAI 36	160			H 3136															
SAI 38	170		22238K	H 3138															
SAI 382		6.3/4"		HE 3138	210	570	700	230	120	279	152	127	416	1.1/2"	80	86	105	23	119
SAI 385		6.15/16"		HA 3138															
SAI 400		7"	22240K	HE 3140															
SAI 40	180			H 3140	220	610	740	250	130	291	159	132	446	1.1/2"	85	89	113	23	136
SAI 403		7.3/16"		HA 3140															
SAI 448		7.1/2"	22244K	HE 3144															
SAI 44	200			H 3144	240	680	820	270	140	309	170	139	485	1.5/8"	100	95	120	26	187
SAI 445		7.15/16"		HA 3144															
SAI 487		8.7/16"	22248K	HA 3148															
SAI 488		8.1/2"		HE 3148	260	700	830	290	150	316	170	146	530	1.5/8"	100	102	140	26	220
SAI 48	220			H 3148															
SAI 527		9.7/16"	22252K	HA 3152															
SAI 52	240			H 3152	290	760	850	310	160	336	178	158	590	1.3/4"	105	110	145	26	279
SAI 528		9.1/2"		HE 3152															
SAI 565		9.15/16"	22256K	HA 3156															
SAI 560		10"		HE 3156	300	780	870	320	170	344	182	162	610	1.3/4"	110	112	150	26	305
SAI 56	260			H 3156															
SAI 605		10.15/16"	22260K	HA 3160															
SAI 600		11"		HE 3160	330	860	960	340	190	374	200	174	670	2"	115	124	155	28	360
SAI 60	280			H 3160															
SAI 647		11.7/16"	22264K	HA 3164															
SAI 648		11.1/2"		HE 3164	350	900	1000	360	200	410	216	194	710	2"	120	130	170	29	432
SAI 64	300			H 3164															