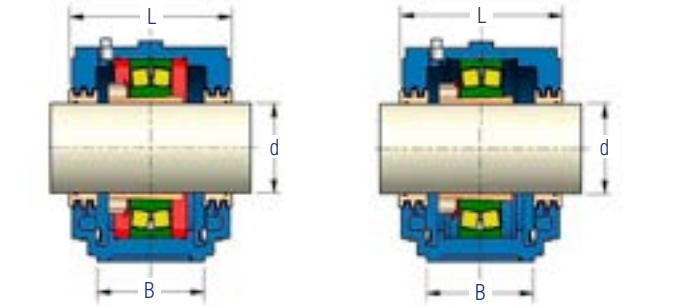


BC - Locating bearing, blind shaft

LC - Non-locating bearing, blind shaft



BP - Locating bearing, passing shaft

LP - Non-locating bearing, passing shaft

- See page 12 for technical features. Standard seal "TS" – radial labyrinth, see page 05.
- **Should a different type of seal be requested, the dimensions of the column "L" on the table can be modified,** but our engineering department should be consulted for more information.
- For applications with other bearing series or other shaft diameters, please consult our Engineering Department.
- **Specification example:** SAF-516-BP-TS = SAF housing, size 516, made of grey cast iron with 2 holes on the base, prepared for 22216-K bearing and HA 316 adapter sleeve, for locating bearing and passing shaft, with labyrinth seal type TS.
- Up to size SAF 520 these housings can be supplied with 4 holes on the base, by simply adding the prefix "F" to the housing designation (Ex. FSAF-520-BP-TS). As of the size 520 the housings will be supplied exclusively with 4 holes on the base. The dimensions of the set bolts for two holes on the base are found on column "S", between brackets. When not specified, the housings up to and including SAF 520 will be supplied with 2 holes on the base.

Housing	d	Bearing	Adapter sleeve (complete)	H	E	A	B	C	F	L	N	N1	P	S	U	V	Ring dim.	FRB Qty.	Weight (kg)
SAF 509	1.7/16" 1.1/2" 40 mm	22209 K	HA 309 HE 309 H 309	57,15	168,5	210	60	25	—	92	20	14	111	(1/2")	28	21	8/85	1	4,8
SAF 510	1.11/16" 1.3/4" 45 mm	22210 K	HA 310 HE 310 H 310	63,5	171,5	210	60	30	—	95	20	15	122	(1/2")	25	25	10/90	2	5,2
SAF 511	1.15/16" 50 mm 2"	22211 K	HA 311 H 311 HE 311	69,85	193,5	245	70	35	—	101	25	18	135	(5/8")	32	25	10,5/100	2	6
SAF 513	2.3/16" 2.1/4" 60 mm	22213 K	HA 313 HE 313 H 313	76,2	223,5	279	80	28	51	114	25	18	151	1/2" (5/8")	36	25	11/120	2	8
SAF 515	2.7/16" 2.1/2" 65 mm	22215 K	HA 315 HE 315 H 315	82,55	232	286	80	33	48	128	25	18	162	1/2" (5/8")	39	31	12,5/130	2	10,5
SAF 516	2.11/16" 2.3/4" 70 mm	22216 K	HA 316 HE 316 H 316	88,9	262	330	89	32	54	137	32	22	177	5/8" (3/4")	42	32	12,5/140	2	12
SAF 517	2.15/16" 75 3"	22217 K	HA 317 H 317 HE 317	95,25	265,5	330	89	37	54	137	32	22	188	5/8" (3/4")	44	32	12,5/150	2	14
SAF 518	80 mm 3.3/16" 3.1/4"	22218 K	H 318 HA 318 HE 318	101,6	279,5	350	99	40	54	159	32	22	199	5/8" (3/4")	46	41	12,5/160	2	17
SAF 520	3.7/16" 3.1/2" 90 mm	22220 K	HA 320 HE 320 H 320	114,3	314	388	116	44	60	162	38	22	222	5/8" (3/4")	54	45	12/180	2	24
SAF 522	3.11/16" 100 mm 3.15/16" 4"	22222 K	HS 322 H 322 HA 322 HE 322	125,41	344,5	420	121	45	70	165	38	22	245	3/4"	58	51	10/200	1	26
SAF 524	4.3/16" 4.1/4" 110 mm	22224 K	HA 3124 HE 3124 H 3124	133,35	352,5	420	121	50	70	188	38	22	261	3/4"	60	54	12,5/215	2	35
SAF 526	4.7/16" 4.1/2" 115 mm	22226 K	HA 3126 HE 3126 H 3126	152,4	390	467	130	60	83	203	41	26	292	7/8"	64	60	13/230	2	49
SAF 528	4.15/16" 5"	22228 K	H 3128 HA 3128 HE 3128	152,4	421	512	150	52	86	194	44	28	299	1"	68	60	10/250	1	60
SAF 530	5.3/16" 5.1/4" 135 mm	22230 K	HA 3130 HE 3130 H 3130	160,34	447,5	540	159	52	95	222	44	28	318	1"	74	64	11,5/270	2	73
SAF 532	5.7/16" 5.1/2" 140 mm	22232 K	HA 3132 HE 3132 H 3132	169,86	465	559	159	52	95	222	50	28	338	1"	76	67	11,5/290	2	86
SAF 534	5.15/16" 6"	22234 K	HA 3134 HE 3134 H 3134	179,39	521	629	172	55	108	245	57	28	360	1"	79	70	13/310	2	93
SAF 536	160 mm 6.7/16" 6.1/2"	22236 K	H 3136 HA 3136 HE 3136	190,5	565	680	181	67	118	254	65	28	378	1"	85	77	16/320	2	126
SAF 538	170 mm 6.3/4" 6.15/16" 7"	22238 K	H 3138 HE 3138 HA 3138	200,03	584	712	191	68	114	273	70	35	399	1.1/4"	88	80	16/340	2	146
SAF 540	180 mm 7.3/16" 7.1/2"	22240 K	HE 3140 H 3140 HA 3140	209,55	603,5	750	203	70	127	286	70	35	420	1.1/4"	92	86	16/360	2	193
SAF 544	200 mm 7.15/16"	22244 K	HE 3144 H 3144 HA 3144	241,3	668,5	832	223	86	133	305	80	42	473	1.1/2"	98	96	17/400	2	225