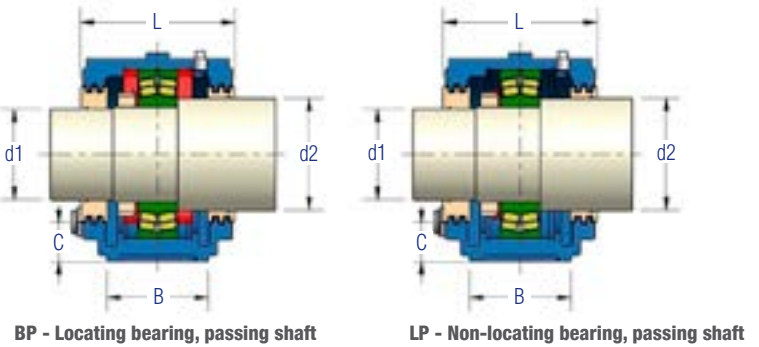


- See pages 11 for technical features. Standard seal "TS" – radial labyrinth, see page 05.
- **Should a different type of seal be requested, the dimensions of the column "L" on the table can be modified,** but our engineering department should be consulted for more information.
- For applications with other bearing series please consult our Engineering Department.
- **Specification example:** SAF-313-BP-TS = SAF housing, size 313, made of grey cast iron, with 2 holes on the base, prepared for 22313-C bearing, for locating bearing and passing shaft, with labyrinth seal type TS.
- Up to size SAF 220 / 317 these housings can be supplied with 4 holes on the base, by simply adding the prefix "F" to the housing designation (Ex. FSAF-220-BP-TS). As of the size 220/317 the housings will be supplied exclusively with 4 holes on the base. The dimensions of the set bolts for two holes on the base are found on column "S", between brackets.



When not specified, the housings up to and including SAF 317/220 will be supplied with 2 holes on the base.

SAF 200 Series

Housing	d1	d2	Nut	washer	Bearing	H	E	A	B	C	F	L	N	N1	P	S	U	V	Ring dim.	FRB Qty.	Weight (kg)
SAF 216	3"	3.5/8"	KM 16	MB 16	22216C	88,9	262	330	89	36	54	137	32	22	177	5/8" (3/4")	42	32	12,5/140	2	12
SAF 217	3.3/16"	3.15/16"	KM 17	MB 17	22217C	95,25	265	330	89	37	54	137	32	22	188	5/8" (3/4")	44	32	12,5/150	2	14
SAF 218	3.3/8"	4.1/8"	KM 18	MB 18	22218C	101,6	279,5	350	99	40	54	159	32	22	199	5/8" (3/4")	46	34	12,5/160	2	17
SAF 220	3.13/16"	4.1/2"	KM 20	MB 20	22220C	114,3	314	388	112	44	60	162	38	22	222	5/8" (3/4")	54	45	12/180	2	24
SAF 222	4.3/16"	4.7/8"	KM 22	MB 22	22222C	125,41	344,5	420	121	45	70	165	38	22	245	3/4"	58	51	10/200	1	26
SAF 224	4.9/16"	5.5/16"	KM 24	MB 24	22224C	133,35	352,5	420	121	50	70	188	38	22	261	3/4"	60	54	12,5/215	2	35
SAF 226	4.15/16"	5.7/8"	KM 26	MB 26	22226C	152,4	390	467	130	60	83	203	41	26	292	7/8"	64	60	13/230	2	49
SAF 228	5.5/16"	6.1/4"	KM 28	MB 28	22228C	152,4	421	512	150	52	86	194	44	28	299	1"	68	60	10/250	1	60
SAF 230	5.3/4"	6.5/8"	KM 30	MB 30	22230C	160,34	447,5	540	159	52	95	222	44	28	318	1"	74	64	11,5/270	2	73
SAF 232	6.1/16"	7"	KM 32	MB 32	22232C	169,86	465	559	159	52	95	222	50	28	338	1"	76	67	11,5/290	2	86
SAF 234	6.7/16"	7.7/16"	KM 34	MB 34	22234C	179,39	521	629	172	55	108	245	57	28	360	1"	79	70	13/310	2	93
SAF 236	6.7/8"	7.13/16"	KM 36	MB 36	22236C	190,5	565	680	181	67	118	254	65	28	378	1"	85	77	16/320	2	126
SAF 238	7.1/4"	8.3/8"	KM 38	MB 38	22238C	200,03	584	712	191	68	114	273	70	35	399	1.1/4"	88	80	16/340	2	146
SAF 240	7.5/8"	8.3/4"	KM 40	MB 40	22240C	209,55	603,5	750	203	70	127	286	70	35	420	1.1/4"	92	86	16/360	2	193
SAF 244	8.5/16"	9.9/16"	KM 44	MB 44	22244C	241,3	668,5	832	223	86	133	305	80	42	473	1.1/2"	98	96	17/400	2	225

SAF 300 Series

Housing	d1	d2	Nut	washer	Bearing	H	E	A	B	C	F	L	N	N1	P	S	U	V	Ring dim.	FRB Qty.	Weight (kg)
SAF 308	1.7/16"	1.15/16"	KM 08	MB 08	22308C	63,5	171,5	210	60	30	—	95	20	15	122	(1/2")	30	25	10/90	1	5,2
SAF 309	1.11/16"	2.1/8"	KM 09	MB 09	22309C	69,85	193,5	245	70	33	—	101	25	18	135	(5/8")	32	25	10,5/100	1	6
SAF 310	1.7/8"	2.3/8"	KM 10	MB 10	22310C	76,2	212,5	270	70	35	—	115	25	18	148	(5/8")	35	29	11,5/110	1	6,1
SAF 311	2.1/16"	2.9/16"	KM 11	MB 11	22311C	82,55	223,5	280	80	37	51	121	25	18	157	1/2"(5/8")	37	31	12/120	1	7,5
SAF 312	2.1/4"	2.7/8"	KM 12	MB 12	22312C	82,55	232	286	80	33	48	128	25	18	162	1/2"(5/8")	39	31	10/130	1	10,5
SAF 313	2.7/16"	3.1/16"	KM 13	MB 13	22313C	88,9	262	330	89	36	54	137	32	22	177	5/8"(3/4")	42	32	10/140	1	12
SAF 314	2.5/8"	6.1/4"	KM 14	MB 14	22314C	95,25	265	330	89	37	54	137	32	22	188	5/8"(3/4")	44	32	10/150	1	14
SAF 315	2.13/16"	3.7/16"	KM 15	MB 15	22315C	101,6	279,5	350	99	40	54	159	32	22	199	5/8"(3/4")	46	34	10/160	1	17
SAF 316	3"	3.5/8"	KM 16	MB 16	22316C	107,95	295	362	99	43	54	159	34	22	210	5/8"(3/4")	50	34	10/170	1	18,5
SAF 317	3.3/16"	3.15/16"	KM 17	MB 17	22317C	114,3	314	388	112	44	60	162	38	22	223	5/8"(3/4")	54	45	10/180	1	24
SAF 318	3.3/8"	4.1/8"	KM 18	MB 18	22318C	120,65	324	394	112	48	57	175	38	22	234	3/4"	54	51	10/190	1	30
SAF 320	3.13/16"	4.1/2"	KM 20	MB 20	22320C	133,35	352,4	420	121	50	70	188	38	22	261	3/4"	60	54	10/215	1	35
SAF 322	4.3/16"	4.7/8"	KM 22	MB 22	22322C	152,4	390	467	130	61	83	203	41	26	292	7/8"	65	61	10/240	1	46
SAF 324	4.9/16"	5.5/16"	KM 24	MB 24	22324C	160,34	447,5	540	159	60	95	222	44	28	318	1"	69	64	10/260	1	62
SAF 326	4.15/16"	5.7/8"	KM 26	MB 26	22326C	169,86	465,5	559	159	62	95	222	50	28	338	1"	74	67	10/280	1	73
SAF 328	5.5/16"	6.1/4"	KM 28	MB 28	22328C	179,39	521	629	172	65	108	245	57	28	360	1"	79	70	10/300	1	95
SAF 330	5.3/4"	6.5/8"	KM 30	MB 30	22330C	190,5	565	680	181	67	118	254	65	28	378	1"	85	77	10/320	1	126
SAF 332	6.1/16"	7"	KM 32	MB 32	22332C	200,03	584	712	191	68	114	273	70	35	399	1.1/4"	88	80	10/340	1	146
SAF 334	6.7/16"	7.7/16"	KM 34	MB 34	22334C	209,55	603,5	750	203	70	127	286	70	35	420	1.1/4"	92	86	10/360	1	193
SAF 338	7.1/4"	8.3/8"	KM 38	MB 38	22338C	241,3	668,5	832	223	86	133	305	80	42	473	1.1/2"	98	96	10/400	1	225