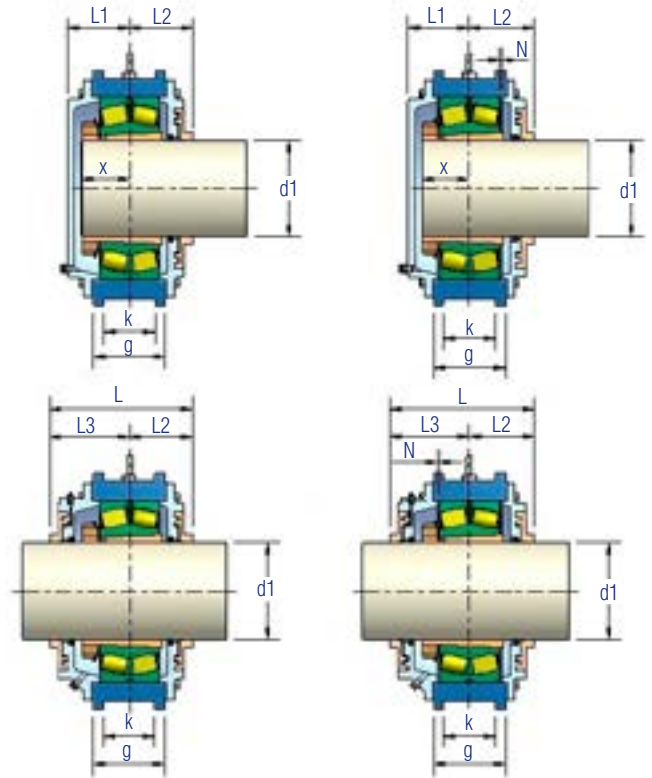


- See page 13 for technical features.
  - Standard seal "AS" – axial labyrinth, see page 05. For seal types ASR, R, ZF, TC and GS, the dimensions are maintained. **Should a different type of seal be requested, the dimensions of the columns "L", "N" and "M" on the table can be modified,** but our engineering department should be consulted for more information.
  - For bearings of the 222-K, 230-K 231-K and 232-K series. For applications with other bearing series please consult our Engineering Department.
  - **Specification example:** HSPA-3136-BP-AS = HSPA housing, size 3136, made of nodular cast iron, prepared for 23136-K bearing and H-3136 adapter sleeve, for locating bearing and passing shaft, with taconite proof labyrinth seal type AS.  
HSPA-3036-LP-ASR = HSPA housing, size 3036, made of nodular cast iron, prepared for 23036-K bearing and H-3036 adapter sleeve, for non-locating bearing and passing shaft, with taconite proof seal composed of AS axial labyrinth and R retainer.
- Obs.:** The standard material for these housings is nodular cast iron.

BC - Locating bearing, blind shaft

LC - Non-locating bearing, blind shaft



BP - Locating bearing, passing shaft

LP - Non-locating bearing, passing shaft

Housing	Bearing	Adapter sleeve	d1	A	R1	H	H1	E	e	f	u	b	b1	L	L1	L2	L3	g	k	X	N	R	Weight (kg)
HSPA 2228	22228K	H 3128	125	315	155	330	300	230	70	70	40	76	40	226	78	113	113	83	53	65	3	45	43
HSPA 3028	23028K	H 3028	125	260	130	300	270	225	90	90	50	150	60	156	68	68	88	70	45	55	3	70	50
HSPA 3030	23030K	H 3030	135	280	140	320	290	235	90	90	50	150	60	194	82	82	112	85	45	60	2	70	60
HSPA 3132	23132K	H 3132	140	370	185	370	340	350	160	100	61	132	62	229	108	108	121	116	65	78	3	90	125
HSPA 3034	23034K	H 3034	150	325	162,5	360	330	260	90	90	50	150	60	201	88	88	113	102	65	68	2	70	87
HSPA 3134	23134K	H 3134	150	375	187,5	400	370	395	180	100	60	132	62	249	113	113	136	120	65	80	3	90	150
HSPA 2236	22236K	H 3136	160	420	210	440	410	380	170	140	80	135	65	255	95	120	135	114	60	80	3	100	200
HSPA 3036	23036K	H 3036	160	350	175	390	360	275	90	90	50	150	60	201	88	88	113	100	65	72	3	70	105
HSPA 3136	23136K	H 3136	160	400	200	440	410	360	158	140	80	135	65	248	105	113	135	120	60	80	3	100	180
HSPA 3236	23236K	H 2336	160	420	210	450	410	300	90	140	80	140	70	285	110	135	150	140	93	90	3	90	230
HSPA3038	23038K	H 3038	170	375	180	440	400	290	90	90	50	150	60	211	88	93	118	105	65	72	3	70	135
HSPA 3040	23040K	H 3040	180	390	200	430	400	275	85	120	70	125	62	240	108	107	133	125	83	78	3	80	160
HSPA 3140	23140K	H 3140	180	420	210	440	410	360	140	100	60	140	70	270	115	120	150	140	100	95	2	80	175
HSPA 3044	23044K	H 3044	200	430	210	480	440	325	100	100	60	200	70	241	103	103	138	120	65	80	3	80	185
HSPA 3144	23144K	H 3144	200	470	235	510	480	530	260	140	100	144	74	295	125	135	160	150	65	95	4	120	265
HSPA 3148	23148K	H 3148	220	520	260	540	500	515	250	250	100	215	123	328	129	149	179	152	65	110	4	150	310
HSPA 3052	23052K	H 3052	240	500	245	540	500	515	250	250	100	215	123	261	113	113	148	135	65	94	4	150	240
HSPA 3152	23152K	H 3152	240	550	275	570	540	565	270	250	100	225	135	336	140,5	150,5	185,5	175	80	115	4	150	330
HSPA 3252	23252K	H 2352	240	596	298	610	570	615	300	240	100	240	173	375	157,5	167,5	207,5	205	103	130	3	150	420
HSPA 3156	23156K	H 3156	260	600	300	610	570	615	300	240	100	225	135	351	148	158	193	205	103	120	4	150	360
HSPA 3160	23160K	H 3160	280	630	315	650	610	650	310	200	100	270	170	385	155	170	215	190	130	130	4	150	440
HSPA 2260	22260K	H 3160	280	660	330	680	640	630	280	200	105	220	150	370	160,5	174,5	195,5	177	80	120	4	170	530
HSPA 3260	23260K	H 3260	280	680	340	690	650	680	310	260	100	270	190	404	187	182	222	230	115	145	4	180	625
HSPA 3164	23164K	H 3164	300	680	340	700	660	680	340	240	110	300	180	395	192	180	215	210	140	135	4	180	580
HSPA 3168	23168K	H 3168	320	740	370	740	700	720	310	240	120	300	180	445	200	200	245	220	150	160	4	200	640
HSPA 3268	23268K	H 3268	320	735	385	740	700	750	310	240	110	300	213	475	238	203	272	265	123	210	5	200	650
HSPA 3272	23272K	H 3272	340	800	400	830	790	765	310	280	130	330	213	509	222	227	282	275	123	190	5	225	890
HSPA 3176	23176K	H 3176	360	750	375	780	740	750	320	230	110	300	200	459	202	202	257	230	120	170	5	200	720
HSPA 3276	23276K	H 3276	360	810	405	820	780	780	305	240	110	300	213	529	257	232	297	295	123	220	5	200	910