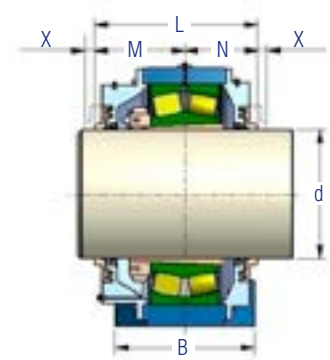
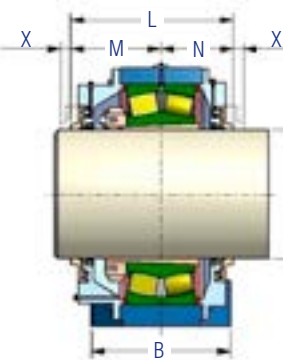


BC - Locating bearing, blind shaft

LC - Non-locating bearing, blind shaft

- See page 08 for technical features.
- Standard seal "ASR" - "taconite" labyrinth seal with retainer, see page 06 (reference). For seal types ASZF, AS, R, ZF, TC and GS the dimensions are maintained. **Should a different type of seal be requested, the dimensions of the columns "L", "N" and "M" on the table can be modified**, but our engineering department should be consulted for more information.
- They can seat split bearings, however, the designation must be changed by adding the prefix B. For application of other bearing series, please consult our Engineering Department.
- Up to size 56 (inclusively) the bearing's axial movement is blocked by locating rings, for bigger sizes the bearing's axial movement is blocked by the lateral lids.
- **Specification example:** HSBM-157-BP-ASZF= HSBM housing, size 157, made of grey cast iron, with 2 holes on the base, prepared for 22215-K bearing and HA-315 adapter sleeve, for locating bearing and passing shaft, with taconite seal composed of AS axial labyrinth and ZF retainer.
- FNHSBM-15-LC-ASR= FNHSBM housing, size 15, made of nodular cast iron with 4 holes on the base, prepared for 22234-K bearing and H-3134 adapter sleeve, for non-locating bearing and blind shaft, with taconite proof seal composed of AS axial labyrinth and R retainer.
- These housings are standardized with two holes on their base up to size 32, but they can be supplied with 04 holes on the base by simply adding the prefix "F" on the housing reference (Ex. FNHSBM-15BP-ASZF). Beyond size 32 they have four holes on the base. The fixing screw dimensions for two holes on the base, are located in the column "S" in parenthesis.



BP - Locating bearing, passing shaft

LP - Non-locating bearing, passing shaft

Housing	Shaft diameter		Bearing	Adapter sleeve (complete)	Dimensions (mm)														Weight (kg)	
	mm	Inches			H	E	A	B	C	F	L	M	N	P	S	V	W	X		
HSBM 084		1.1/4"		HE 308																
HSBM 086		1.3/8"	22208K	HS 308	60	170	205	60	26	30	99	53	46	113,5	3/8"	25	41	8	3,5	
HSBM 08	35			H 308											(1/2")					
HSBM 097		1.7/16"		HA 309																
HSBM 098		1.1/2"	22209K	HE 309	60	170	205	60	28	30	106,5	56,5	50	119,5	3/8"	25	44	8	4	
HSBM 09	40			H 309											(1/2")					
HSBM 100		1.5/8"		HS 310																
HSBM 101		1.11/16"	22210K	HA 310	60	170	205	60	28	30	114	57	57	122	3/8"	25	43	8	4,5	
HSBM 102		1.3/4"		HE 310											(1/2")					
HSBM 10	45			H 310																
HSBM 114		1.7/8"		HS 311																
HSBM 115		1.15/16"	22211K	HA 311	70	210	255	70	30	35	116	58	58	137	1/2"	28	45	9	5,5	
HSBM 11	50			H 311											(5/8")					
HSBM 110		2"		HE 311																
HSBM 122		2.1/8"	22212K	HS 312	70	210	255	70	34	35	116,5	61,5	55	140	1/2"	30	50	9	6	
HSBM 12	55			H 312											(5/8")					
HSBM 133		2.3/16"		HA 313																
HSBM 134		2.1/4"	22213K	HE 313	80	230	275	80	36	40	116,5	63,5	53	157	1/2"	30	54	9	7,5	
HSBM 13	60			H 313											(5/8")					
HSBM 136		2.3/8"		HS 313																
HSBM 157		2.7/16"		HA 315																
HSBM 158		2.1/2"	22215K	HE 315	80	230	280	80	38	45	120,5	65,5	55	162	1/2"	30	56	11	9	
HSBM 15	65			H 315											(5/8")					
HSBM 161		2.11/16"		HA 316																
HSBM 162		2.3/4"	22216K	HE 316	95	260	315	90	42	55	141	70,5	70,5	183	1/2"	32	60	12	14,5	
HSBM 16	70			H 316											(3/4")					
HSBM 175		2.15/16"		HA 317																
HSBM 17	75		22217K	H 317	95	260	320	90	44	55	146	73	73	189	5/8"	32	62	12	14,5	
HSBM 170		3"		HE 317											(3/4")					

