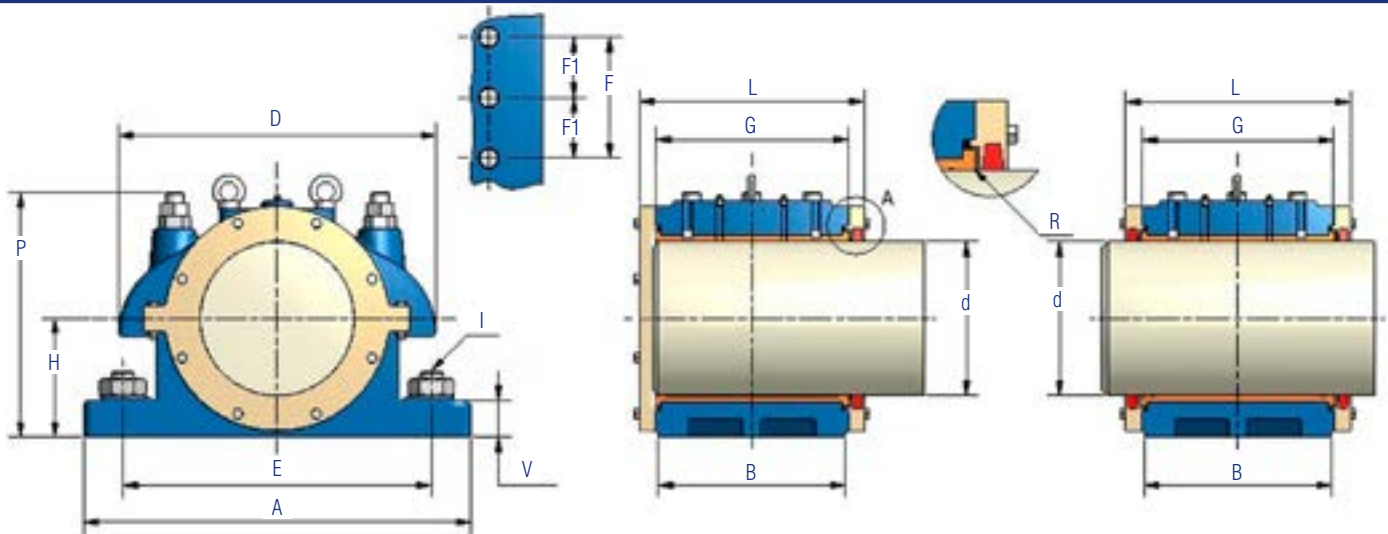


HEC



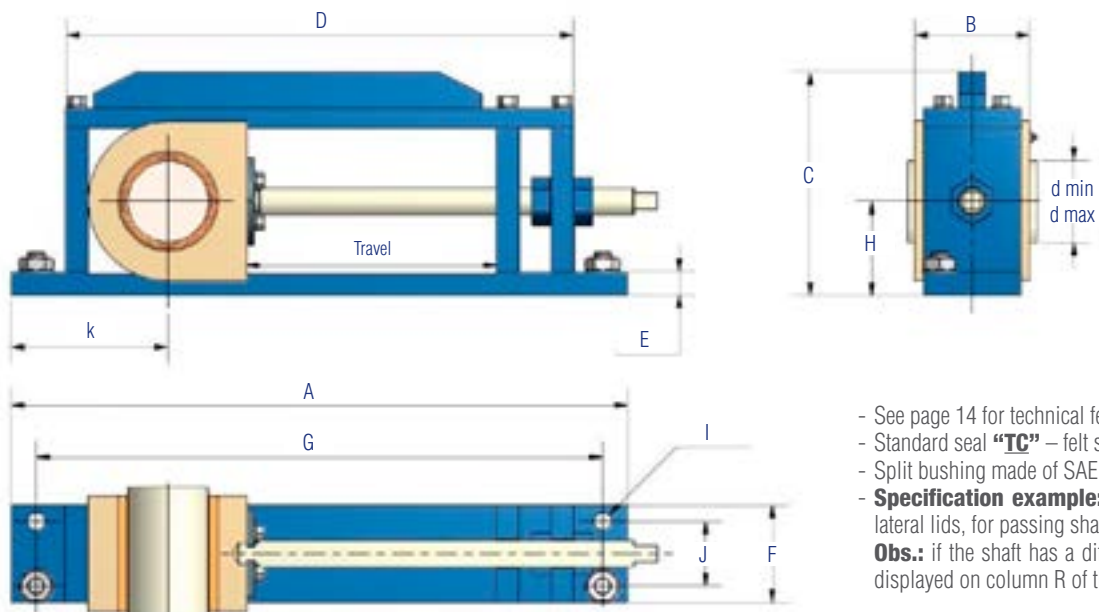
LC - Non-locating bearing, blind shaft

LP - Non-locating bearing, passing shaft

- See page 14 for technical features.
- Standard seal "TC" – felt strip, see page 04.
- Split bushing made of SAE 67 bronze.
- **Specification example:** HEC I 135mm, 135mm lateral lids, for passing shaft.
- **Obs.:** If the shaft has a different radius than those displayed on column R of the table below.

Housing	H	E	A	B	F	F1	L	P	I	D	G	V	R	Shaft (d)	
														min	max
HEC-0	94	305	360	130	80	*	192	190	22	255	140	38	4	76,2	114,3
HEC-1	128	400	470	180	100	*	252	253	28,6	313	200	55	6	127	152,4
HEC-2	170	410	530	240	160	*	302	365	31,7	435	250	70	8	165,1	190,5
HEC-3	195	510	640	310	200	100	372	405	38,1	525	320	65	8	203,2	254

HF



- See page 14 for technical features.
- Standard seal "TC" – felt strip, see page 04.
- Split bushing made of SAE 67 bronze.
- **Specification example:** HF I 63,5mm, 63,5mm lateral lids, for passing shaft.
- **Obs.:** if the shaft has a different radius than those displayed on column R of the table below.

Housing	A	B	C	D	E	F	G	H	I	J	K	Shaft (d)		Travel
												min	max	
HF-1	590	80	186	450	19	59	520	73	17,5	.	155,2	38,1	63,5	200
HF-2	775	127	256	633	25	100	725	102	20,6	60	185,4	76,2	101,6	300
HF-3	855	200	312	705	33,1	160	785	131	25,4	90	218,3	114,3	139,7	320
HF-4	1000	230	400	814	38,1	170	920	170	28,6	110	285	165,1	190,5	328