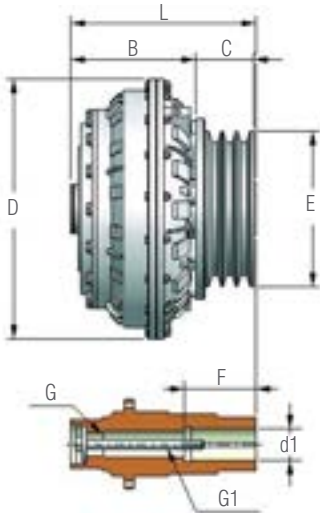


HCP -With pulley

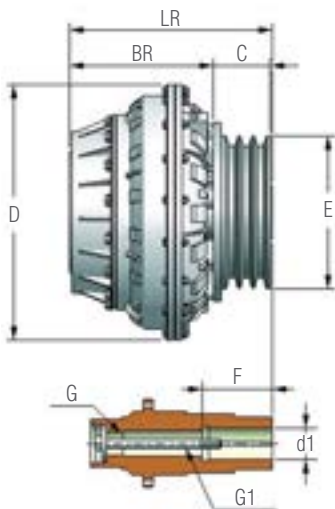
Hydrodynamic coupling which can be assembled on the drive shaft or the driven machine shaft eliminating restrictions of physical space. It can be assembled for flat belt pulleys, increasing considerably the service life of belts and pulleys in dust polluted environment. Available up to size HCP-500.



SIZE	D	L	B	d1max	Emin	Fmax	Cmax	G	G1	WEIGHT (KGF)*
5	232	186	121	40	90	80	65	M16	M10	8
10	262	193	123	42	95	80	70	M16	M10	11,5
15	303	228	133	48	110	110	95	M16	M16	23
30	332	270	150	55	110	110	120	M20	M16	34
50	376	299,5	169,5	65	114	110	130	M20	M20	41
75	400	331	221	65	205	110	110	G1"	M20	54,5
100	460	403,5	243,5	80	215	140	160	G 1.1/4"	M20	87
150	528	425	265	80	215	140	160	G 1.1/4"	M20	98,5
250	574	518	317	80	263	170	201	G 1.1/4"	M20	146
350	634	573,5	279,5	80	295	170	294	G 1.1/2"	M24	232
500	719	540	348	125	453	210	192	G 1.1/2"	M24	330

* Estimated weights and dimensions that can vary according to the design of the pulley.

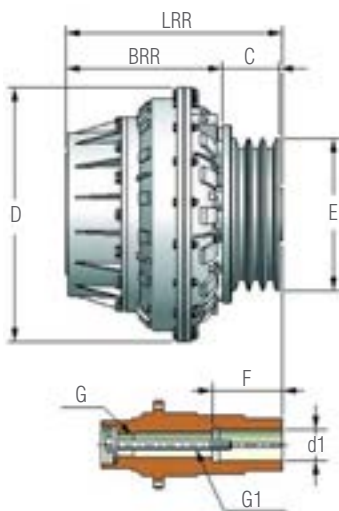
HCP - R



SIZE	D	LR	BR	d1max	Emin	Fmax	Cmax	G	G1	WEIGHT (KGF)*
30	332	303	183	55	110	110	120	M20	M16	—
50	376	359	229	65	114	110	130	M20	M20	43,5
75	400	395	285	65	205	110	110	G1"	M20	58
100	460	488,5	328,5	80	215	140	160	G 1.1/4"	M20	93
150	528	518	358	80	215	140	160	G 1.1/4"	M20	104,5
250	574	583	382	80	263	170	201	G 1.1/4"	M20	152
350	634	646,5	352,5	80	295	170	294	G 1.1/2"	M24	240
500	719	617	425	125	453	210	192	G 1.1/2"	M24	336

* Estimated weights and dimensions that can vary according to the design of the pulley.

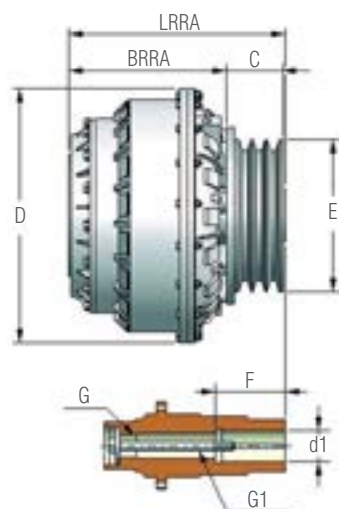
HCP - RR



SIZE	D	LRR	BRR	d1max	Emin	Fmax	Cmax	G	G1	WEIGHT (KGF)*
50	376	419	289	65	114	110	130	M20	M20	45,5
75	400	386	276	65	205	110	110	G1"	M20	62,5
100	460	481,5	321,5	80	215	140	160	G 1.1/4"	M20	96,5
150	528	526	366	80	215	140	160	G 1.1/4"	M20	110
250	574	627	426	80	263	170	201	G 1.1/4"	M20	158
350	634	690,5	396,5	80	295	170	294	G 1.1/2"	M24	248,4
500	719	660	468	125	453	210	192	G 1.1/2"	M24	348

* Estimated weights and dimensions that can vary according to the design of the pulley.

HCP - RRA



SIZE	D	LRR	BRR	d1max	Emin	Fmax	Cmax	G	G1	WEIGHT (KGF)*
50	376	419	289	65	114	110	130	M20	M20	45,5
75	400	386	276	65	205	110	110	G1"	M20	66,5
100	460	481,5	321,5	80	215	140	160	G 1.1/4"	M20	105,5
150	528	526	366	80	215	140	160	G 1.1/4"	M20	116,5
250	574	627	426	80	263	170	201	G 1.1/4"	M20	166
350	634	690,5	396,5	80	295	170	294	G 1.1/2"	M24	259
500	719	660	468	125	453	210	192	G 1.1/2"	M24	362,5

* Estimated weights and dimensions that can vary according to the design of the pulley.